





Microwave Oven

Owner's Manual

	Safety Information.....	2
	Welcome.....	2
	Grounding.....	4
	Excessive Energy Warning.....	5
	Features And Benefits, Specifications.....	6
	Operating Your Microwave.....	8
	Setting Up Your Microwave.....	8
	Parts And Accessories.....	8
	Turntable Installation.....	8
	Control Panel.....	9
	Operation.....	10
	One-Touch Buttons.....	14
	Popcorn.....	14
	Baked Potato.....	14
	Pizza.....	14
	Beverage.....	14
	Frozen Dinner.....	15
	Reheat.....	15
	Use And Care.....	15
	Care And Cleaning.....	15
	Troubleshooting.....	16
	Warranty.....	17
	Technical Support.....	17

Welcome!

Congratulations, you have acquired a high-quality Hamilton Beach™ Microwave Oven. This unit is packed with many extra features that you will find convenient to use. Six different one-touch cooking buttons provide for convenient meal preparation and tasty snacks. It will provide you with trouble free use if you follow the safety precautions and operating instructions provided in this easy-to-use manual. Please take the time to read it, and save these instructions for future use. Please also remember to record the model, series code and serial number. They are on a label on back of the unit. Save your receipt by stapling it to this manual for convenient access.

Model number: P100N30AP-F4

Serial number _____

Series code _____

Date of purchase _____

!! IMPORTANT SAFETY INSTRUCTIONS !!

When using electrical appliances, basic safety precautions should be followed, including the following:

WARNING! - To reduce the risk of burns, electric shock, fire, injury to persons, or exposure to excessive microwave energy:

1. Read all instructions before using the appliance.
2. Read and follow the specific PRECAUTIONS TO AVOID POSSIBLE EXPOSURE TO EXCESSIVE MICROWAVE ENERGY found on page 5.
3. This appliance must be grounded. Connect only to properly grounded outlet. See "IMPORTANT GROUNDING INSTRUCTIONS" found on page 4.
4. Install or locate this appliance only in accordance with the provided installation instructions.
5. Some products such as whole eggs and sealed containers, like closed glass jars, are able to explode and should not be heated in this oven.
6. Use this appliance only for its intended use as described in the manual. Do not use corrosive chemicals or vapors in this appliance. This type of oven is specifically designed to heat, cook, or dry food. It is not designed for industrial or laboratory use.
7. As with any appliance, close supervision is necessary when used by children.

Hamilton Beach®

8. Do not operate this appliance if it has a damaged cord or plug, if it is not working properly, or if it has been damaged or dropped.
9. This appliance should be serviced only by a qualified service personnel. Contact your nearest authorized service facility for examination, repair or adjustment.
10. Do not cover or block any openings on this appliance.
11. Do not store this appliance outdoors. Do not use this product near water. For example, do not use near a kitchen sink, in a wet basement, near a swimming pool, or similar locations.
12. Do not immerse cord or plug in water.
13. Keep cord away from heated surfaces.
14. Do not let cord hang over edge of table or counter.
15. When cleaning the surfaces between the door and the oven that come together upon closing, use only mild, nonabrasive soaps or detergents applied with a sponge or soft cloth.
16. To reduce the risk of fire in the oven cavity:
 - Do not overcook food. Carefully attend appliance when paper, plastic, or other combustible materials are placed inside the oven to facilitate cooking.
 - Remove wire twist ties from paper or plastic bags before placing bag in oven.
 - If materials inside the oven ignite, keep oven door closed, turn oven off and disconnect the power cord, or shut off power at the fuse or circuit breaker panel.
 - Do not use the cavity for storage purposes. Do not leave paper products, cooking utensils, or food in the cavity when not in use.
17. Liquids such as water, coffee, or tea are able to be overheated beyond the boiling point without appearing to be boiling. Visible bubbling or boiling when the container is removed from the microwave oven is not always present. **THIS COULD RESULT IN VERY HOT LIQUIDS SUDDENLY BOILING OVER WHEN THE CONTAINER IS DISTURBED OR A UTENSIL IS INSERTED INTO THE LIQUID.**
18. This appliance is intended for household use only.

!! SAVE THESE INSTRUCTIONS !!

Important Grounding Instructions

This appliance must be grounded. In the event of an electrical short circuit, grounding reduces the risk of electric shock by providing an escape wire for the electric current.

WARNING Improper use of the grounding plug can result in a risk of electric shock.

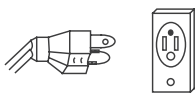
Electrical Requirements

The electrical requirements are 120 volt 60 Hz, AC only, 20 amp.

It is recommended that a separate circuit serving only the oven be provided.

The oven is equipped with a 3-prong grounding plug. It must be plugged into a wall receptacle that is properly installed and grounded.

Three-pronged
(grounding) plug



Properly polarized and
grounded outlet

Power Supply Cord

1. A short power supply cord is provided to reduce the risks resulting from becoming entangled in or tripping over a longer cord.

2. Longer cord sets or extension cords are available and may be used if care is exercised in their use.

3. If long cord or extension cord is used:

a) The marked electrical rating of the cord set or extension cord should be at least as great as the electrical rating of the appliance.

b) The extension cord must be a grounding-type 3-wire cord, and the longer cord should be arranged so that it will not drape over the counter top or table top where it can be pulled on by children or tripped over unintentionally.

Notes:

If you have any questions about the grounding or electrical instructions, consult a qualified electrician or service person.

Neither manufacturer nor the dealer can accept any liability for damage to the oven or personal injury resulting from failure to observe the electrical connection procedures.

Radio or TV Interference

Should there be any interference caused by the microwave oven to your radio or TV, check that the microwave oven is on a different circuit, relocate the radio or TV as far away from the oven as feasible or check position and signal of receiving antenna.



Precautions To Avoid Possible Exposure To Excessive Microwave Energy

- Do not attempt to operate this oven with the door open since open-door operation can result in harmful exposure to microwave energy. It is important not to defeat or tamper with the safety interlocks.
- Do not place any object between the oven front face and the door. Or allow soil or cleaner residue to accumulate on sealing surfaces.
- Do not operate the oven if it is damaged. It is very important that the oven door close properly and that there is no damage to the:
 1. Door (including any dents)
 2. Hinges and latches (broken or loosened)
 3. Door seals and sealing surfaces
- The oven should not be adjusted or repaired by anyone except qualified service personnel.

Features and Benefits

- 1.1 cu. ft. Oven Cavity
- 10 Power Levels
- Six Express Cook One-touch Settings
- Electronic Digital Display With Clock (LED)
- Turntable
- Time Cook
- Time And Weight Defrost
- Remind Signal
- Kitchen Timer

Specifications

Model.....	P100N30AP-F4
Power Source.....	120V ~ 60Hz
Power Consumption.....	1450W
Maximum Output	1000W
Oven Capacity.....	1.1 cu. ft.
Turntable Diameter	12.4 inches
External Dimensions.....	11.8 x 21.25 x 16.31 inches
Net Weight	35.2 lbs

How To Test For A Microwave-safe Dish

To determine if a dish is microwave-safe, place the dish in the microwave along with a glass measuring cup filled with one cup of water. Microwave for one minute on high and then carefully feel the dish. If it is warm, it is not microwave-safe.

Arcing - The microwave term for sparks in the oven. Caused by:

- Metal or foil touching the side of the microwave
- Uprturned edges of foil not wrapped around the food
- Metals in the microwave such as twist ties, meat pins or metal rimmed dishes
- Recycled paper towels in the microwave that contain small flecks of metal

Hamilton Beach®

Materials For Use In Microwave

To avoid arcing and other hazards, follow these instructions for the use of safe materials in the microwave.

Browning dish	Follow manufacturer's instructions. The bottom of browning dish must be at least 3/16 inch (0.5 cm) above the turntable. Incorrect usage may cause the turntable to break.
Dinnerware	Microwave-safe only . Follow manufacturer's instructions. Do not use cracked or chipped dishes.
Glassware	Heat-resistant oven glassware only. Make sure there is no metallic trim. Do not use cracked or chipped dishes.
Oven cooking bags	Follow manufacturer's instructions. Do not close with metal tie. Make slits to allow steam to escape.
Paper plates/cups	Use for short - term cooking/warming only. Do not leave oven unattended while cooking.
Paper towels	Use to cover food for reheating and absorbing fat. Use with supervision for short - term cooking only.
Parchment paper	Use as a cover to prevent splattering or a wrap for steaming.
Plastic	Microwave-safe only. Follow the manufacturer's instructions. Boiling bags and tightly closed plastic bags should be slit, pierced or vented as directed by package. Due to various manufacturers you may receive varying performance results when using a bacon tray.
Plastic wrap	Microwave-safe only. Use to cover food during cooking to retain moisture. Do not allow plastic wrap to touch food.
Thermometers	Microwave-safe only.
Wax paper	Use as a cover to prevent splattering and retain moisture.

Materials To Avoid In Microwave

- Metal pans and bakeware
- Recycled paper products
- Non-heat-resistant glass
- Food storage bags
- Dishes with metallic trim
- Brown paper bags
- Non-microwave-safe plastics (e.g. margarine tubs)
- Metal twist ties

Setting Up Your Microwave

Installation:

1. Remove all packing materials and accessories. Examine the oven for any damage such as dents or broken door. Do not install if oven is damaged.

2. Select a level surface that provides enough open space for ventilation. Allow for 3 inches of open space next to the sides and back of the microwave. Allow for 12 inches of open space above the microwave. Do not place any items on top of microwave and do not remove the legs from the bottom of the microwave.

3. Place the microwave as far away as possible from radios and televisions. Microwave may cause interference to these appliances.

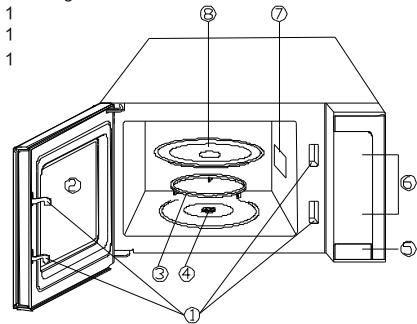
4. Plug the microwave into a standard household outlet. Check the rating label of the microwave to ensure the voltage and frequency are compatible with the outlet.

5. Do not install microwave over a range cook top or other heat-producing appliance. Heat can damage the microwave and void the warranty.

Names of Oven Parts and Accessories

Remove the oven and all materials from the carton. Your oven comes with the following accessories:

Glass tray	1
Turntable ring assembly	1
In struction manual	1

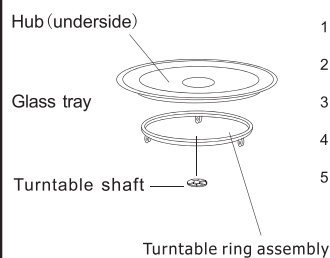


1. Safety interlock system
2. Observation window
3. Turntable shaft assembly
4. Turntable shaft
5. Door Release Button
6. Control panel
7. Wave Guide (Do not remove)
8. Glass tray

WARNING : FIRE AND SHOCK HAZARD.

Do not remove the mica board located on the right, inside wall of the cooking compartment. Unplug the microwave immediately and contact service support: 1-877-395-5109 if the mica board becomes damaged or is missing.

Turntable Installation

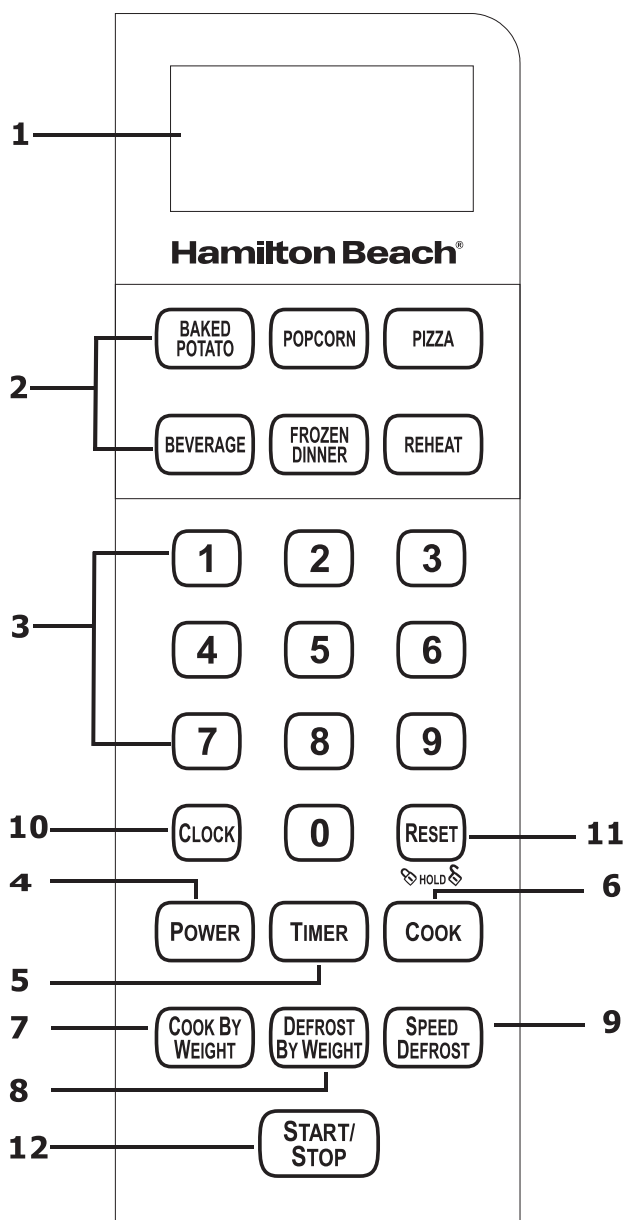


1. Never place the glass upside down. The glass tray should never be restricted.
2. Both glass tray and turntable ring assembly must always be used during cooking.
3. All food and containers of food are always placed on the glass tray for cooking.
4. The glass tray rotates either clockwise or counter-clockwise; this is normal.
5. If the glass tray or turntable ring assembly cracks or breaks, contact service support:1-877-395-5109

To order a replacement turntable, pls call service support:1-877-395-5109

Hamilton Beach®

Control Panel Operation



1. Display

Cooking time, power, indicators and present time are displayed.

2. Quick Cook Buttons

Instant settings to cook popular foods.

3. Number Pads (0-9)

Touch to set times or weights.

4. Power

Use to set power level. To check power level during time cooking, touch POWER pad.

5. Timer

Timer functions independently, even while a cooking program is in process.

6. Cook

Use for multi-stage cooking.

Enables cooking at multiple power and time settings automatically.

7. Cook By Weight

Programmed cooking based on the weight of the foods to be cooked.

8. Defrost By Weight

Programmed defrosting based on the weight of the foods to be defrosted.

9. Speed Defrost

Quick defrost function that alternates defrost and stand times to quickly and effectively defrost foods.

10. Clock

Use to set the time of day or recall the time of day.

11. Reset

Clears all previous settings.

12. Start/Stop

Touch to start or stop cooking.

1. Setting The Clock

- 1) Touch CLOCK pad.
- 2) Use the number pads to enter the correct time.
- 3) Touch CLOCK pad again.

NOTE:

- This is a 12-hour cycle clock. When the oven is first plugged in or when power resumes after a power interruption, the display will show ENTER CLOCK TIME. If you prefer to not have the clock displayed, touch RESET.

2. Setting The Oven Timer

- 1) Touch TIMER.
- 2) Enter the amount of time by touching the number pads.
- 3) Touch START/STOP.

NOTE:

- The maximum time you can enter is 99 minutes and 99 seconds.
- Time countdown can be seen in display for 5 seconds before clock or cooking time is returned to display.
- Touch TIMER and then touch RESET to cancel TIMER during timing process.

3. Setting A Cooking Program

A. One-stage Cooking

- 1) Use the number pads to set a cooking time. You can set a cooking time from one second to 99 minutes and 99 seconds.
- 2) If you want to set a power level other than 100% power, touch POWER, then use the number pads to enter the power level. You can set the power level from 1 to 9.
- 3) Touch START/STOP to start cooking.

Hamilton Beach®

Use single digits to set a cooking power level:

Number pad	Cooking power
9	90%
8	80%
7	70%
6	60%
5	50%
4	40%
3	30%
2	20%
1	10%

B. Two-stage Cooking

Some recipes require different stages of cooking at different temperatures.

1) SET STAGE 1:

Follow steps 1 and 2 in "One-stage Cooking". DO NOT TOUCH START/STOP.

2) SET STAGE 2:

Touch COOK then enter proper cooking time and (lower) power level. (Most two-stage recipes use lower power for second stage.)

3) Touch START/STOP.

NOTE:

- After stage 1 time has elapsed, one signal sounds, signaling the beginning of stage 2.
- After total time has elapsed, 4 signals sound and END appears in display. Touch any key or open oven door to clear END before starting another cooking function.

4. Speed Defrost

1) Touch SPEED DEFROST.

2) Enter desired defrosting time by touching correct number pads.

3) Touch START/STOP.

NOTE:

- After time has elapsed, four signals sound and icon END appears in display. Touch any key or open the door to clear icon END before starting another cooking function.
- After setting SPEED DEFROST, oven can be programmed to automatically switch to one or two-stage cooking.
- For speed defrost and one-stage cooking, follow steps above. Before touching START/STOP, touch COOK, enter time and power level and then touch START/STOP.
- For speed defrost and two-stage cooking, follow steps above. Before touching START/STOP, touch COOK, enter two-stage cooking programs.

5. Cook By Weight

- 1) Touch COOK BY WEIGHT.
- 2) Enter the one digit code by touching the correct number pad.
- 3) Enter weight.
- 4) Touch START/STOP.

Cook By Weight Code Description

CODE	TYPE	MAX WEIGHT
1	Beef	5 lb. 16 oz.
2	Mutton	5 lb. 16 oz.
3	Pork	5 lb. 4 oz.

Note:

- Meat must be defrosted and at refrigerated temperature
- Weight must be in pounds and ounces.
- Ounce weights less than 10 must be preceded by a 0. If label gives weight in pounds only, change the fraction of a pound to ounces using the following chart.

Converting Fractions Of A Pound To Ounces

Fractions of a pound	Ounces
Less than .03	0
.03 to .09	1
.10 to .15	2
.16 to .21	3
.22 to .27	4
.28 to .34	5
.35 to .40	6
.41 to .46	7
.47 to .53	8
.54 to .59	9
.60 to .65	10
.66 to .71	11
.72 to .78	12
.79 to .84	13
.85 to .90	14
.91 to .97	15
above .97	go to next even

Hamilton Beach®

- During cooking, the system will pause automatically and sound to remind users to turn meat over. Touch START/STOP to resume cooking.
- After total cooking time, four signals sound and END appears in display. Touch RESET or open oven door to clear END before starting another cooking function.

6. Defrost By Weight

- 1) Touch DEFROST BY WEIGHT pad.
- 2) Enter weight.
- 3) Touch START/STOP.

NOTE:

- Weight must be in pounds and ounces. Ounce weights less than 10 must be preceded by a 0. If label gives weight in pounds only, change the fraction of a pound to ounces using the chart given on the previous page.
- During defrosting, you need to turn food over for uniform defrosting effect, then touch START/STOP pad to resume defrosting.
- After total defrosting time, four signals sound and END appears in display. Touch RESET or open oven door to clear END before starting another cooking function.

7. Setting Child Lock

The safety lock prevents unsupervised operation by children.

To set: Press and hold RESET for 3 seconds. LOCK is indicated on the display.

To cancel: Press and hold RESET for 3 seconds. LOCK indication disappears.

8. Quick Cook Settings

The QUICK COOK settings allow you to cook or reheat food automatically without entering power level or time.

For smaller portions, simply touch the applicable pad and START/STOP.

For larger portions, press the pad twice.

FROZEN DINNER, BAKED POTATO and BEVERAGE allow you to cook multiple amounts of the same food. Simply touch pad once, and ENTER AMT appears in the display.

Enter the amount of servings and start.

9. Popcorn

1) Touch POPCORN.

POPCORN automatically sets the cooking time for a 3.5 oz. bag of microwave popcorn.

2) Touch START/STOP.

NOTE:

- To change the preset POPCORN time: Touch POPCORN twice. ENTER TIME appears in display.
- Touch number pads to enter minutes and seconds. Touch START/STOP.
- This new cooking time will remain whenever you use the POPCORN setting until you reset it.

10. Baked Potato

For potatoes (4 to 6 oz. per entry):

1) Touch BAKED POTATO once.

2) Enter number of potatoes by touching number pads from 1 to 4.

3) Touch START/STOP.

For the large potatoes (8 to 10 oz. per entry):

1) Touch BAKED POTATO twice.

2) Enter number of potatoes by touching number pads from 1 to 4.

3) Touch START/STOP.

11. Pizza

Reheating a slice of pizza:

1) Touch PIZZA once.

2) Touch START/STOP.

Heating a whole frozen pizza:

1) Touch PIZZA twice.

2) Touch START/STOP.

12. Beverage

For cups (5 to 7 oz. per share):

1) Touch BEVERAGE once.

2) Enter number of cups by touching number pads from 1 to 4.

3) Touch START/STOP.

For larger coffee mugs (9 to 11 oz. per share):

1) Touch BEVERAGE twice.

2) Enter number of mugs by touching number pads from 1 to 4.

3) Touch START/STOP.

Hamilton Beach®

13. Frozen Dinner

For one or two small (7-9 oz. per share) frozen dinners:

- 1) Touch FROZEN DINNER once.
- 2) For 1 entree, touch the number pad "1". For 2 entrees, touch the number pad "2".
- 3) Touch START/STOP .

For one large (10-12 oz. per share) frozen dinner:

- 1) Touch FROZEN DINNER twice.
- 2) For 1 entree, touch the number pad "1". For 2 entrees, touch the number pad "2".
- 3) Touch START/STOP.

14. Reheat

- 1) Touch REHEAT.
- 2) Touch START/STOP.

NOTE:

This setting lets you reheat a dinner plate of chilled leftovers with good results.

Care and Cleaning

- Turn off the microwave and unplug the power cord from the wall socket when cleaning.
- Keep the inside of the microwave clean. When food splatters or spilled liquids adhere to microwave walls, wipe with a damp cloth. Mild detergents may be used if the microwave gets very dirty. Avoid using spray or other harsh cleaners. They may stain, streak, or dull the door surface.
- The outside of the microwave should be cleaned with a damp cloth. To prevent damage to the operating parts inside the microwave, water should not be allowed to seep into the ventilation openings.
- Wipe the window on both sides with a damp cloth to remove any spills or splatters.
- Do not allow the control panel to become wet. Clean with a soft, damp cloth. When cleaning the panel, leave the microwave door open to prevent it from accidentally turning on.
- If steam accumulates inside or around the outside of the door, wipe with a soft cloth. This may occur when the microwave is operated under high humidity. This is normal.
- It may be necessary to remove the glass tray for cleaning. Wash the tray in warm, soapy water or in a dishwasher. The roller ring and microwave floor should be cleaned regularly to avoid excessive noise. Wipe the bottom surface of the microwave with a mild detergent.
- The roller ring may be washed in mild, soapy water or in a dishwasher. When removing the roller ring, be sure to replace it in the proper position.
- Remove odors from your microwave by combining a cup of water with the juice and skin of one lemon in a microwaveable bowl. Microwave for 5 minutes. Wipe thoroughly and dry with a soft cloth.
- If the light bulb burns out, please contact customer service (1-877-395-5109) to have it replaced.
- The microwave should be cleaned regularly and any food deposits should be removed. Failure to maintain the microwave in a clean condition could lead to deterioration of surfaces that could adversely affect the life of the unit and could possibly result in a hazardous situation.
- Please do not dispose of this appliance into a regular garbage receptacle. Please check to see where you can dispose of such appliances.



Troubleshooting

Problem	Possible Causes	What to do
1. Dim oven light	1. In low power cooking, oven light may become dim	1. This is normal
2. Steam accumulating on door or hot air coming out of vents during cooking	2. Food releases steam during cooking	2. This is normal
3. Oven is started accidentally with no food in it	3. Microwave is started accidentally with no food in it	3. No damage will occur if the microwave runs for less than 20 seconds
4. Interference with TV reception	4. Microwave operation may affect radio and TV reception	4. This is normal
5. Microwave will not start	5a. Power cord not plugged in tightly 5b. A fuse is blown or circuit breaker trips 5c. Problem with electrical outlet	5a. Unplug, wait 10 seconds, then plug in again 5b. Replace fuse or reset circuit breaker 5c. Consult with professional electrician
6. Glass turntable makes noise during operation	6. The microwave cavity is dirty	6. Clean the microwave and turntable rest with warm water and microwave-safe cleaning products
7. Popcorn is over-cooked or under-cooked with "Popcorn" easy setting	7. Incorrect power level selected for size of popcorn bag	7. Refer to page 14 for "Popcorn" setting instructions. Always follow manufacturer's instructions for popcorn if the cooking time for the pre-set setting differs from the manufacturer's recommended time. Never leave popcorn cooking unattended.

Hamilton Beach®

Limited Warranty

This warranty applies to products purchased in the U.S.

This product is warranted to be free from defects in material and workmanship for a period of one (1) year from the date of original purchase, except as noted below. During this period, we will repair or replace this product at our option. THE FOREGOING WARRANTY IS IN LIEU OF ANY OTHER WARRANTY OR CONDITION, WHETHER EXPRESS OR IMPLIED, WRITTEN OR ORAL INCLUDING, WITHOUT LIMITATION, ANY STATUTORY WARRANTY OR CONDITION OF MERCHANTABILITY OR FITNESS FOR A PARTICULAR PURPOSE. ANY LIABILITY IS EXPRESSLY LIMITED TO AN AMOUNT EQUAL TO THE PURCHASE PRICE PAID, AND ALL CLAIMS FOR SPECIAL, INCIDENTAL AND CONSEQUENTIAL DAMAGES ARE HEREBY EXCLUDED. There is no warranty with respect to the following, which may be supplied with this product, including without limitation: glass tray and door glass. This warranty extends only to the original consumer purchaser and does not cover a defect resulting from abuse, misuse, neglect including failure to clean product regularly in accordance with manufacturer's instructions, use for commercial purposes, or any use not in conformity with the printed directions. This warranty gives you specific legal rights, and you may also have other legal rights which vary from state to state. Some states do not allow limitation on implied warranties or special, incidental or consequential damages, so the foregoing limitations may not apply to you.

If you have a claim under this warranty, please call our CUSTOMER SERVICE NUMBER. (For faster service please have model, series, and type numbers ready for operator to assist you.)

CUSTOMER SERVICE NUMBERS

In the U.S. 1.877.395.5109

KEEP THIS NUMBER FOR FUTURE REFERENCE!

**Warrantor: Foshan Shunde Galanz Microwave Oven
Electrical Appliance Ltd., Guangdong 528305**

PART NO.20120517